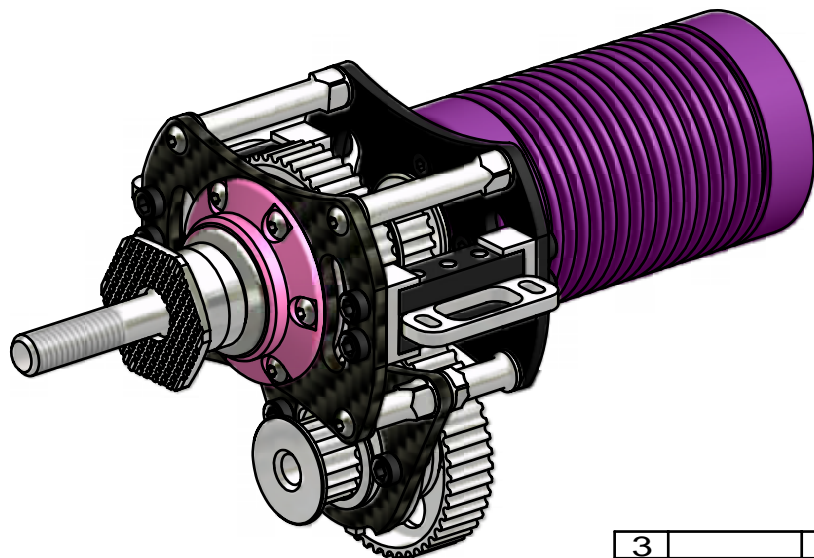
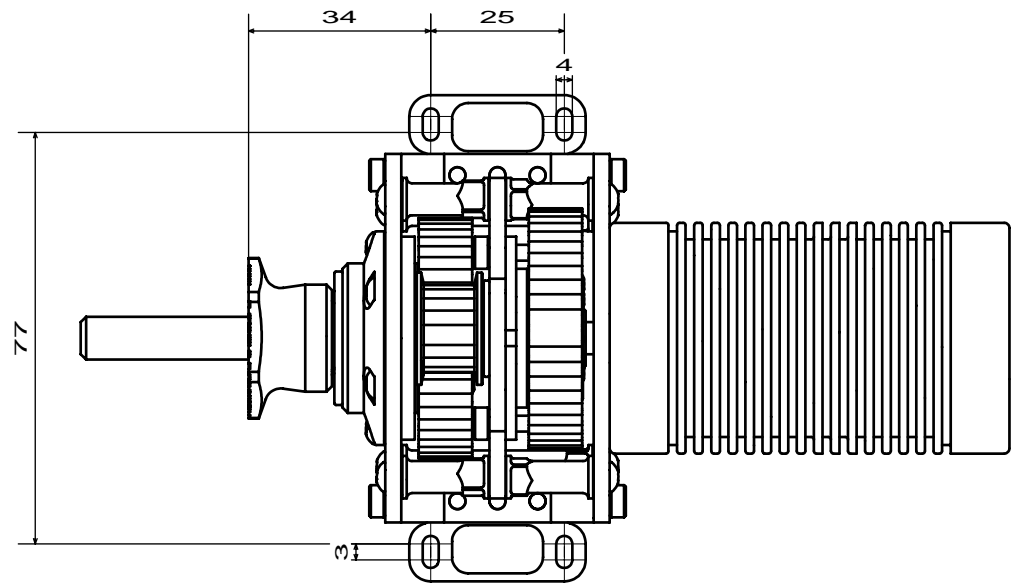
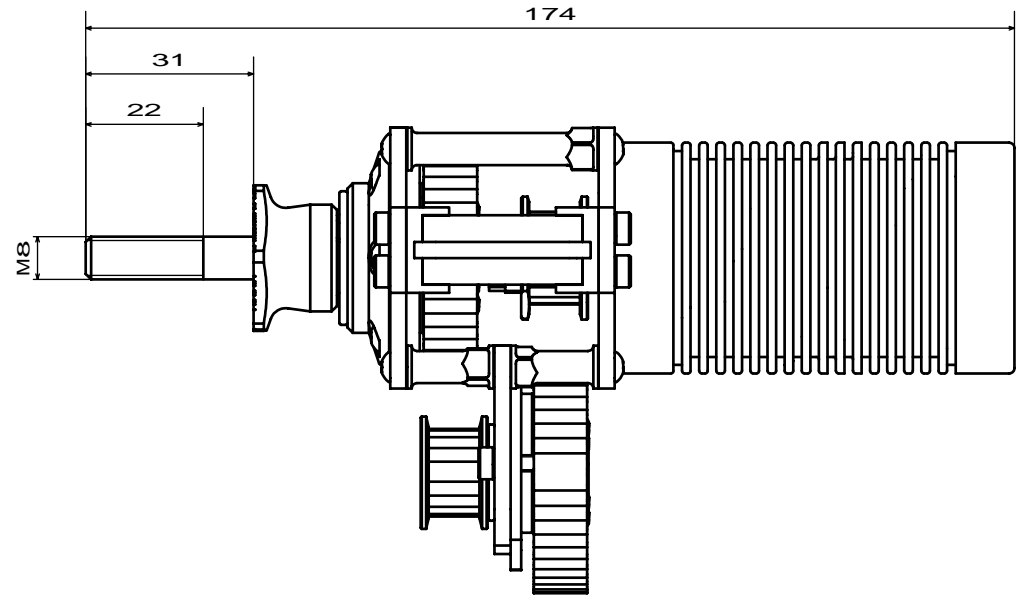


張り調整バー



3				part No	Part Name	Material	Surface Treat.
2							
1				Application	Scale	Date	Drawn by
No.	Revision	Checked					yoshi